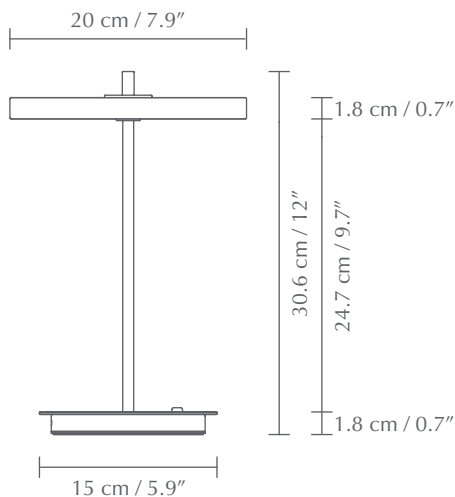


# ASTERIA MOVE

Designed by Søren Ravn Christensen



Colour variations



pearl  
white  
(RAL: 9001)



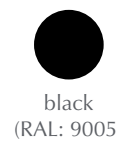
anthracite  
grey  
(RAL: 7016)



forest  
green  
(RAL: 6004)



ruby  
red  
(RAL: 3032)



black  
(RAL: 9005)



Portable table lamp with built-in lithium-Ion battery



## TESTS & CERTIFICATIONS

CE (for indoor use)



USB-C cable and power adaptor incl.



## DIMENSIONS

Ø: 20 cm / 7.9"  
H: 30.6 cm / 12"



## MATERIAL

Steel, aluminium and PMMA



## WARRANTY

10 years warranty against manufacturer defects



## WEIGHT INCL. PACKAGING

1.7 kg / 3.7 lb



## LIGHT SOURCE

LED panel built-in  
Light step 1: 3000K - 5 lm. RA: >80. 35 H  
Light step 2: 3000K - 22 lm. RA: >80. 15 H  
Light step 3: 3000K - 60 lm. RA: >80. 6 H



## PACKAGING

Gift box dimensions (L x W x H):  
24.1 x 24.1 x 9.6 cm / 9.5 x 9.5 x 3.8"



## ASSEMBLY TIME

5 min - video guide at [umage.com](https://umage.com)



## MEDIA KIT

Photos and press material  
Download at [umagepress.com](https://umagepress.com)



## ORDERING INFORMATION

Pearl white	EU/UK/APAC #2385 / US N/A
Anthracite grey	EU/UK/APAC #2386 / US N/A
Forest green	EU/UK/APAC #2387 / US N/A
Ruby red	EU/UK/APAC #2388 / US N/A
Black	EU/UK/APAC #2391 / US N/A

## RECOMMENDED ACCS.

Unifier black chrome	EU/UK/APAC #4185 / US N/A
Unifier white rose gold	EU/UK/APAC #4186 / US N/A



UMAGE

The specifications and dimensions are subject to change without notice. Document date: 05-07-2021 | [info@umage.com](mailto:info@umage.com) | [umage.com](https://umage.com)  
Kongens Nytorv 15, DK-1050 Copenhagen K | +45 31 39 31 31 (tel) & 185 Wythe Ave 2FL, Brooklyn, NY 11249 | +1 646-790-7171 (tel)

# ASTERIA MOVE

Designed by Søren Ravn Christensen



## PORTABLE LAMP FOR MOMENTS ON THE MOVE

Introducing Asteria Move: An UIMAGE classic with a twist. Asteria Move gives you the minimal and elegant Asteria design you already know and love, but in a smaller and cordless version, making it easy to move around, hence the name. The lamp has a Custom LED lighting built-in with a soft white diffuser that ensures a glare-free glow and the brass stem going through the lamp offers a tight and sophisticated expression. Asteria Move has three levels of lighting and can be adjusted as desired. It is so simple and sleek that it's a wonder it hasn't been designed before.

*Find more info on our website [umage.com](https://umage.com)*

